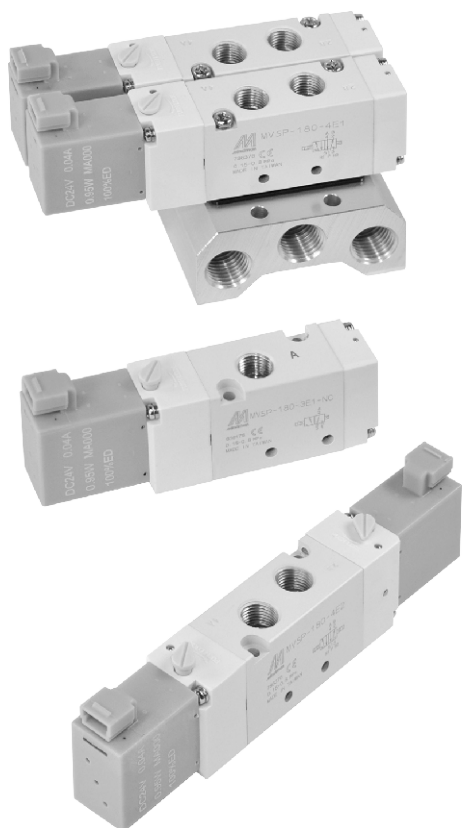


MVSP-180 series

SOLENOID VALVE



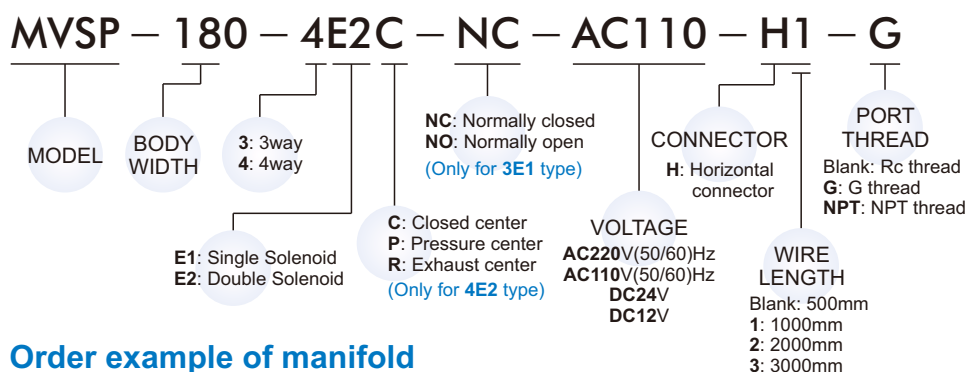
mindman



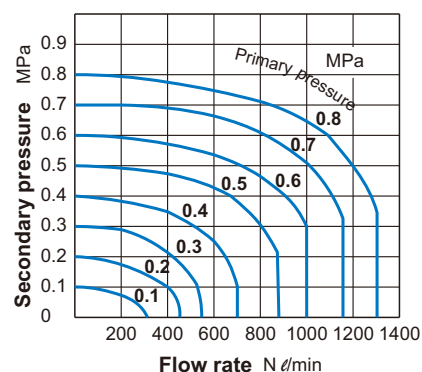
Specification

Model	3E1	3E2	4E1	4E2	4E2C.P.R
Port size	Rc1/8				
No. of port / position	3 / 2		5 / 2		5 / 3
Medium	Air				
Operating pressure range	0.15~0.8 MPa			0.2~0.7 MPa	
Proof pressure	1 MPa				
Effective orifice	15 mm ²		12 mm ²		9 mm ²
Ambient temperature	-5~+50°C (No freezing)				
Response time	25 ms			30 ms	
Voltage	AC110V, 220V (50/60)Hz, DC12/24V				
Power consumption	AC=5VA, 5.5VA (220V), DC=0.95W				
Available voltage range	±10%				
Insulation class	F class				
Weight	90 g	125 g	94 g	129 g	143 g

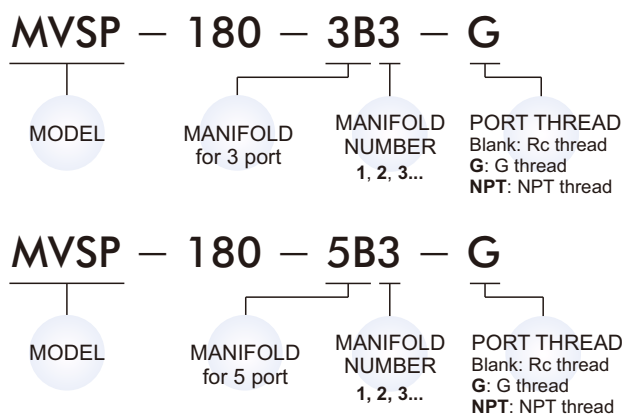
Order example of valve



Flow features

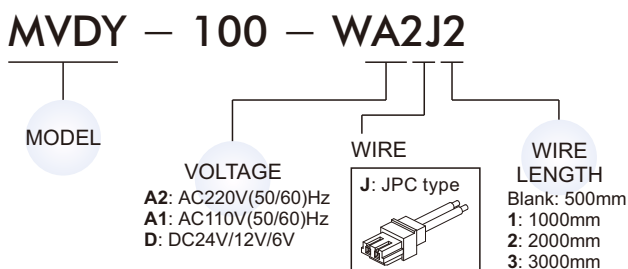


Order example of manifold



Order example of wire

※ Use the same wire with MVDY.

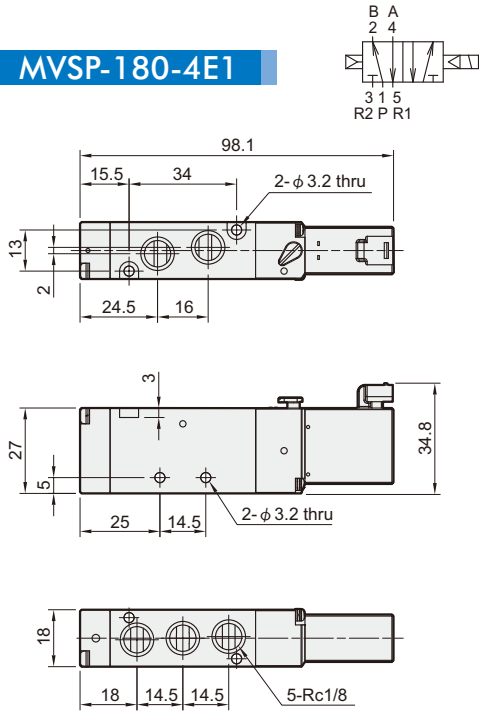


MVSP-180 Dimensions

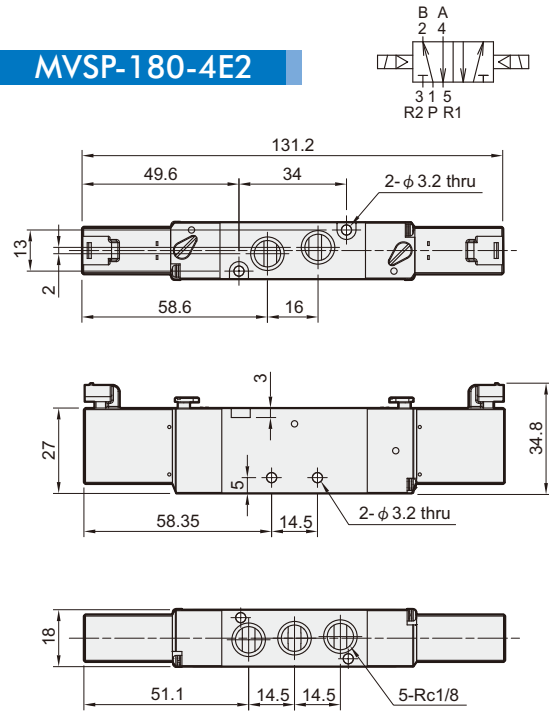
SOLENOID VALVE



MVSP-180-4E1



MVSP-180-4E2

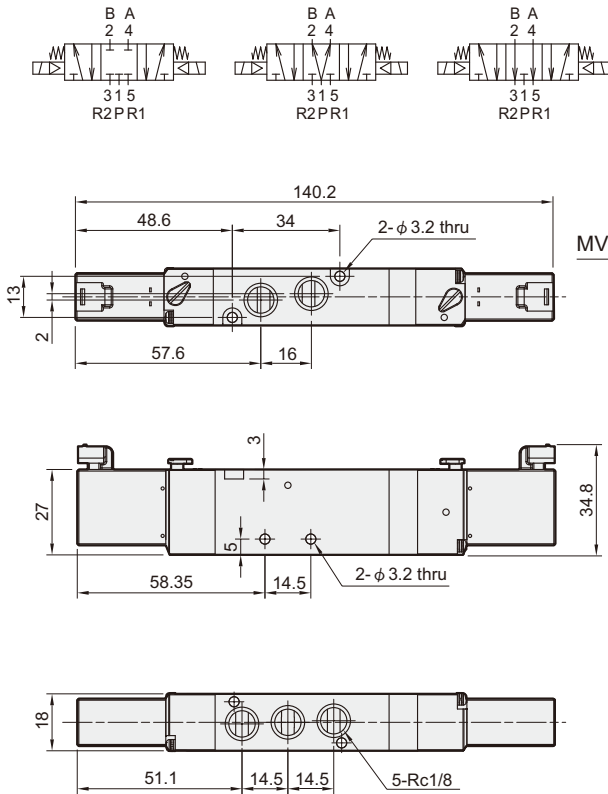


MVSP-180-4E2C.P.R

MVSP-180-4E2C

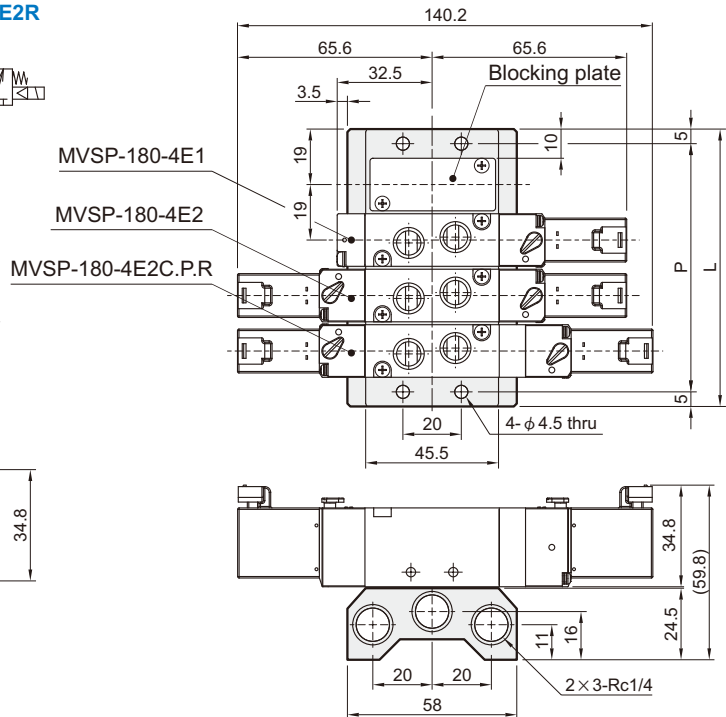
MVSP-180-4E2P

MVSP-180-4E2R



MVSP-180-5B*

4way (for body ported type)



No. of stations	P	L
2	47	57
3	66	76
4	85	95
5	104	114
6	123	133

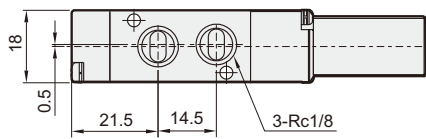
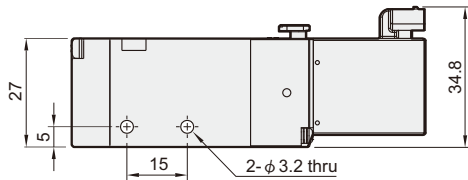
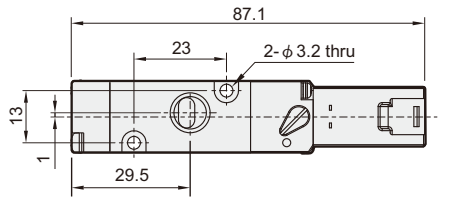
No. of stations	P	L
7	142	152
8	161	171
9	180	190
10	199	209

MVSP-180 Dimensions

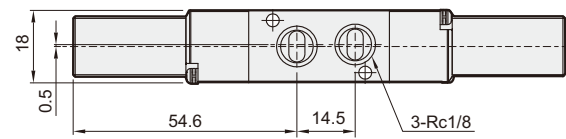
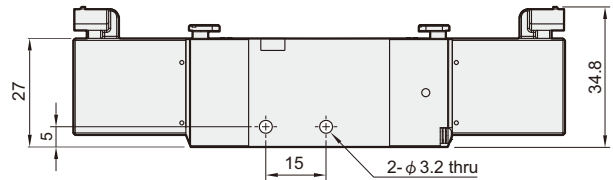
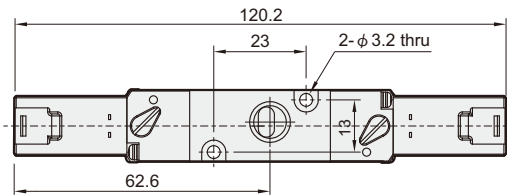
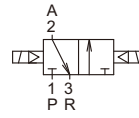
SOLENOID VALVE



MVSP-180-3E1-NC/NO

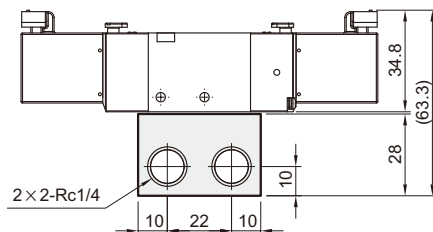
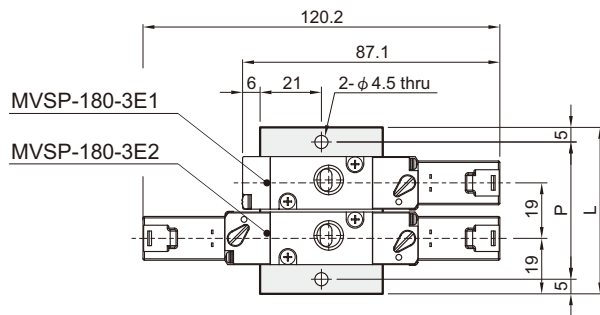


MVSP-180-3E2



MVSP-180-3B*

3way (for body ported type)



No. of stations	P	L
2	47	57
3	66	76
4	85	95
5	104	114
6	123	133
7	142	152
8	161	171
9	180	190
10	199	209