

## RCAC25FS4 Series Pulse Jet Valves

### Description

High performance diaphragm valve with a flanged inlet port and slide seal outlet port. Equipped with 'Shockwave' springless diaphragm, the 4 series valves are available as remote pilot valves and may be converted to integral pilot using a screw in PV pilot. Outlet is at 90° to inlet.

### Suitable for

Dust collector applications, in particular for reverse pulse jet filter cleaning and its variations including bag filters, cartridge filters and envelope filters.

### Construction

Body: Aluminium (diecast)  
Screws: 302 Stainless Steel  
Seals: Nitrile or Viton  
Diaphragm: Proprietary high performance engineering thermoplastic Elastomer

### Operation

Recommended on time range: 50-500ms  
Recommended time between pulses: 1 minute or greater

### Maintenance

Diaphragm and pilot unit inspection should be conducted annually.

### Approvals

The RCAC25FS4 meets the requirements of the European Electromagnetic Compatibility (EMC). Directive 2004/108/EC and Low Voltage Directive 2006/95/EC, when fitted with the PV pilot.

**Please Note:** Pipes must be to Schedule 40 outside diameter.

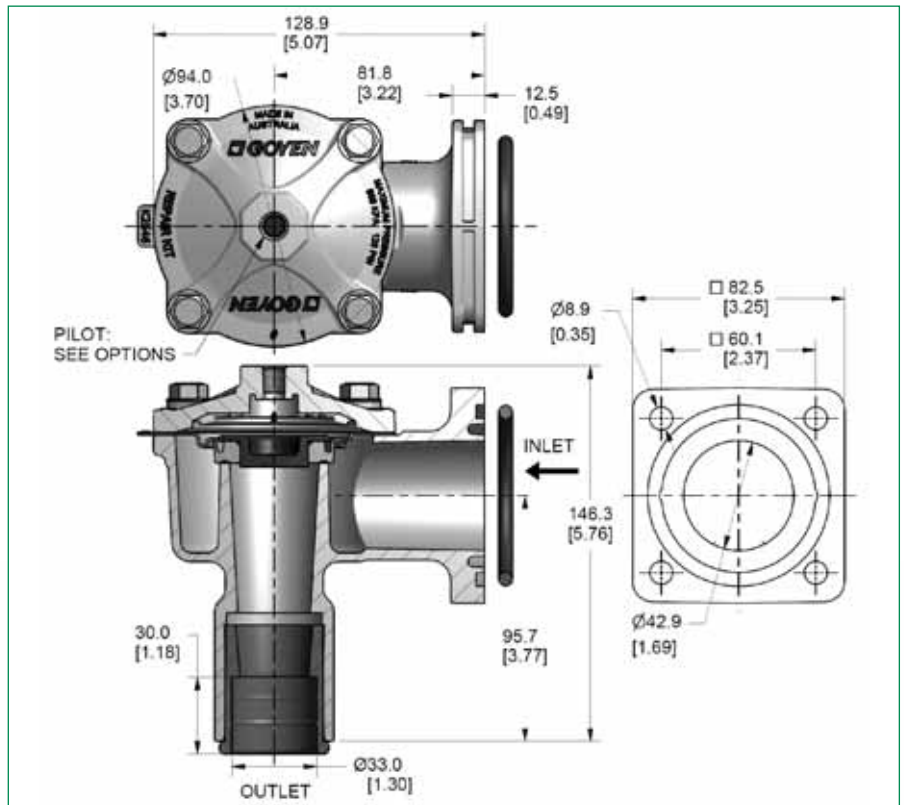
Schedule 40 Size	OD mm	OD Inches
1"	33.4	1.315

### Weights

Valve	Kg (lbs)
RCAC25FS4	0.85 (1.87)

### Dimensions

(Dimensions in mm and [inches])



### Maintenance Kits

Model	Nitrile	Shockwave	Viton
Diaphragm Kit RCAC25FS4	NA	K2546	K2551
FS Outlet Seal RCAC25FS4	G690763	N/A	G690763-2

### Product Characteristics and Performance

Port Size mm (in)	No. of Diaph.	Flow Kv (Cv)	Pressure Range kPA(Psi)	Temperature Range °C (°F)	
				Shockwave	Viton Seals
25 (1)	1	34 (40)	30(5) – 860(125)	-40(-40) – 82(179.6)	-29(-20.2) – 232(449.6)

### Order Code

RCAC 25FS4					
		Diaphragm material	1=Viton 2=Shockwave		
		Thread type	0=NPT, 1=RC, 2=G		
		Pilot size	0=1/8", 1=1/4"		

Examples: RCAC25FS4012  
1" FS valve with 1/8" pilot, 1" RC port threads, Shockwave diaphragm.

Note:  
1/8 Pilot available in NPT & RC Thread  
1/4 Pilot is only available in G Thread



### Australia

Head Office  
Goyen Controls Co Pty Ltd  
268 Milperra Road  
Milperra, NSW 2214

Telephone: 1800 805 372  
Facsimile: 1300 658 799

Queensland  
Telephone: 1800 805 372  
Facsimile: 1300 658 799

Victoria  
Telephone: 1800 805 372  
Facsimile: 1300 658 799

South Australia  
Telephone: 1800 805 372  
Facsimile: 1300 658 799

Western Australia  
Telephone: 1800 805 372  
Facsimile: 1300 658 799

### Asia

Goyen Controls Co Pty Ltd  
Shanghai Representative Office  
1209 Greenland Business Centre  
1258 Yu Yuan Road  
Shanghai PC200050  
CHINA

Telephone: +86 21 5239 8810  
Facsimile: +86 21 5239 8812

Goyen Controls Co Pty Ltd  
73-M Jalan Mega Mendung  
Kompleks Bandar OUG  
58200 Kuala Lumpur MALAYSIA

Telephone: +60 37 987 6839  
Facsimile: +60 37 987 7839

Office: Singapore  
Tel/Facsimile: +65 6457 4549

### USA

Goyen Valve Corporation  
1195 Airport Road  
Lakewood  
New Jersey 08701  
USA

Telephone: +1 732 364 7800  
Facsimile: +1 732 364 1356

### Europe

Goyen Controls Co UK Ltd  
Unit 3B Beechwood  
Chineham Business Park  
Basingstoke, Hampshire, RG24 8WA  
UNITED KINGDOM

Telephone: +44 1256 817 800  
Facsimile: +44 1256 843 164

Tyco Umwelttechnik GmbH  
Im Petersfeld 6  
D-65624 Altendiez  
GERMANY

Telephone: +49 6432 95299 0  
Facsimile: +49 6432 95299 24

Mecair S.r.l.  
Via per Cinisello 97  
20054 Nova Milanese  
Milano,  
ITALY

Telephone: +39 0362 3751  
Facsimile: +39 0362 367279

**[www.cleanairsystems.com](http://www.cleanairsystems.com)**