

# STL series (Ø25)

## Sign tower

- Ø25 cylinder type, suitable design for the small machine and narrow space
- Long life expectancy due to the HID LED light source
- 1~5 modules stacking structure and colors (5 kinds)
- Install the aluminum pipe directly, simple installation structure design
- Only for continuous light so economical price
- Protective structure IP 54



Control switch  
Combination display light

Power switch  
Main switch  
Cam switch

Limit switch  
Micro switch

Hoist switch  
Foot switch  
Mono lever switch

Sign tower  
Signal light

Buzzer  
Terminal block  
Fuse holder

Control box  
Cable connector

Discontinued Products

### ●● Suffix code

Model	Code	Description
STL	<input type="checkbox"/> - <input type="checkbox"/> <input type="checkbox"/> <input type="checkbox"/>	Sign tower
Diameter size	025	Ø25 cylinder type
Power supply voltage	D51	24 V d.c (L.E.D light source)
Stacking modules	1	1 stack (Red)
	2	2 stack (Red, green)
	3	3 stack (Red, yellow, green)
	4	4 stack (Red, yellow, green, blue)
	5	5 stack (Red, yellow, green, blue, white)
Polarity	N	NPN (Common Anode)
	P	PNP (Common Cathode)

※ Color of modules can be changed at customer's request  
 ※ L type supporter sold separately

### ●● Specification

Model	STL025-D511	STL025-D512	STL025-D513	STL025-D514	STL025-D515
Number of stacks	1 stack	2 stack	3 stack	4 stack	5 stack
Diameter size	Ø25 (Aluminum pipe)				
Power supply voltage	24 V d.c				
Power consumption	approx. less than 4W (5 stacks standard, 0.6W for each stacks)				
Light source	LED				
Light type	Continuous light only				
Radiating angle	360°				
Lens material	Polycarbonate (P.C)				
Lens color	red, yellow, green, blue and white				
Degree of protection	IP 54				

#### ■ Applied the lens color to the HID LED

Emit the clear light by unifying the lens with Red LED, Yellow LED, Green LED, Blue LED and White LED.

#### ■ Simple color change

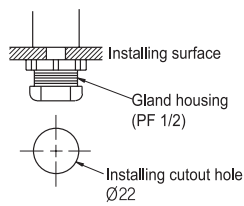
Because LED unit is designed as connector structure type, changing color or repairing is simple.

●○ Dimension and panel cutout (unit : mm)

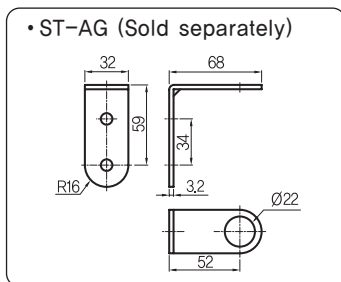
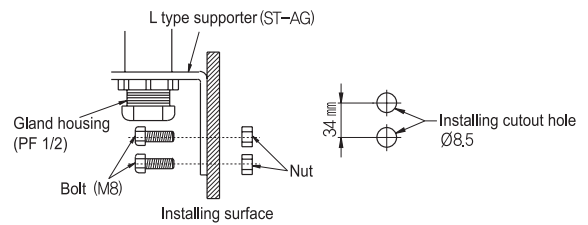
Model	Stacking	Height(H)	Dimension
STL025-D511	1 stack	135	
STL025-D512	2 stack	166	
STL025-D513	3 stack	197	
STL025-D514	4 stack	228	
STL025-D515	5 stack	259	

※ Wire length : approx 1,000 mm

●○ Installation method



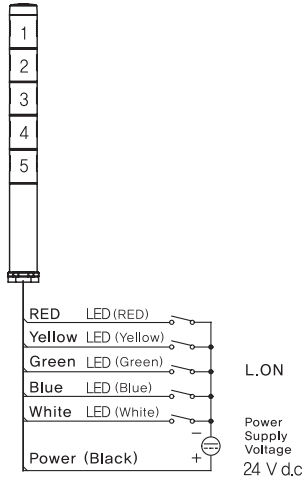
※ Panel thickness : less than 10 mm



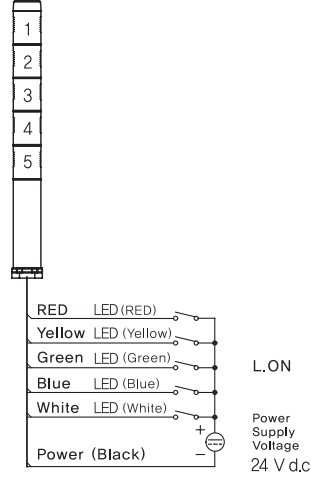
●● Connection diagram

■ Contact drive

- Polarity N (Common Anode)

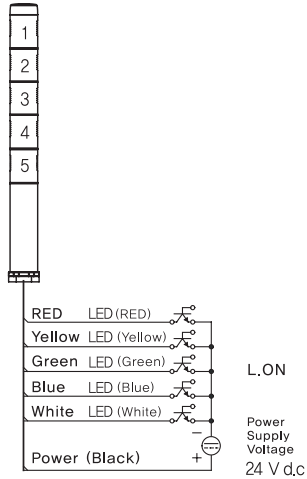


- Polarity P (Common Cathode)



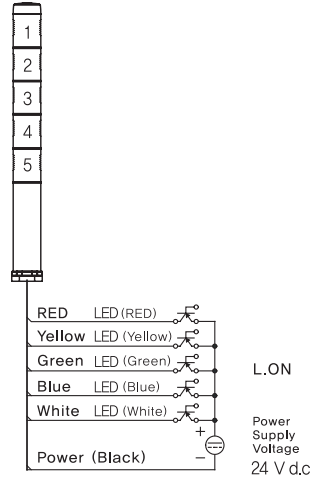
■ NPN transistor drive

- Polarity N (Common Anode)



■ PNP transistor drive

- Polarity P (Common Cathode)



※ L.ON : Light On

Control  
switch  
Combination  
display light

Power switch  
Main switch  
Cam switch

Limit switch  
Micro switch

Hoist switch  
Foot switch  
Mono lever switch

Sign tower  
Signal light

Buzzer  
Terminal block  
Fuse holder

Control box  
Cable connector

Discontinued  
Products

# STL series (Ø40, Ø60, Ø80)

## Sign tower

- Ø40, Ø60 and Ø80 various sizes  
(various cylinder type)
- Long life expectancy due to the HID LED light source
- 1~5 modules stacking structure and colors (5 kinds)
- Various installation method
- Continuous light only, continuous light, flashing light, Buzzer  
(selected by the external signal)



### ●● Suffix code

Model	Code	Description
STL	□- □ □ □ □	Sign tower (LED light source)
Diameter size	040	Ø40 cylinder type
	060	Ø60 cylinder type
	080	Ø80 cylinder type
Function	A	Continuous light only
	F	Continuous light, flashing light and buzzer (selected by the external signal)
Power supply voltage	C51	24 V d.c / a.c 50 - 60 Hz (dual usage)
	A11	100 - 240 V a.c 50 - 60 Hz
Stacking modules	1	1 stack (Red)
	2	2 stack (Red, green)
	3	3 stack (Red, yellow, green)
	4	4 stack (Red, yellow green, blue)
	5	5 stack (Red, yellow, green, blue, white)
Supporter selection	D	Direct installation (bolt fixing installation)
	L	L type supporter
	M	Plastic round supporter
Optional		Selecting type supporter (STM)
		Elbow type supporter installation (ETM)

※ Composition of stacking modules: Upper side (1<sup>st</sup> stack) to the lower side.

STL series (Ø40, Ø60, Ø80)

●● Specification

Model	STL040-□□□□	STL060-□□□□	STL080-□□□□
Diameter size	Ø40	Ø60	Ø80
Function	Continuous light only, continuous light, flashing light, Buzzer (selected by the external signal)		
Number of stacks	1 ~ 5 stack		
Flashing time	60 times / 1min		
Buzzer melody type	Short beeping / Beeping (Volume of buzzer melody spreads out to 1m)		
Buzzer melody volume	75 dB	85 dB	
Power supply voltage	24 V d.c / a.c (dual usage), 100 - 240 V a.c. 50 - 60 Hz		
Power consumption	Approx less than 8 W (5th stack standard, 1.2W for each stacks)		
Light source	LED		
Radiating angle	360°		
Lens material	Polycarbonate (P.C)		
Pipe material	Aluminum		
Lens color	Red, yellow, green, blue and white		
Degree of protection	IP 54		

■ Applied the lens color to the HID LED

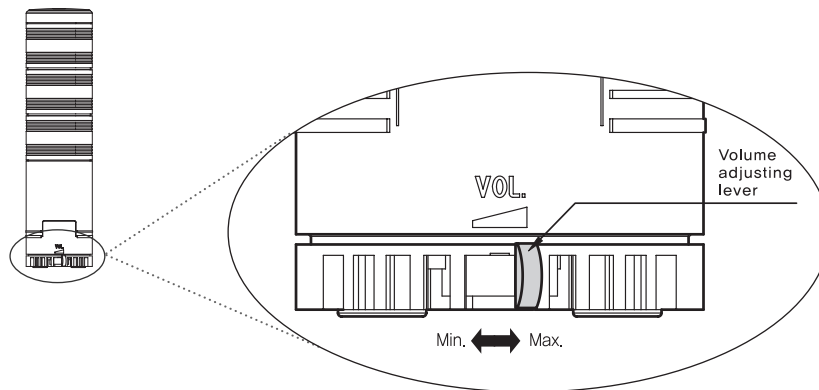
Emit the clear light by unifying the lens with Red LED, Yellow LED, Green LED, Blue LED and White LED.

■ Simple color change

Because LED unit is designed as connector structure type, changing color or repairing is simple.

■ Buzzer melody adjustment

There is a lever that can adjust the volume of buzzer (located at the bottom part of body)



Control switch  
Combination display light

Power switch  
Main switch  
Cam switch

Limit switch  
Micro switch

Hoist switch  
Foot switch  
Mono lever switch

Sign tower  
Signal light

Buzzer  
Terminal block  
Fuse holder

Control box  
Cable connector

Discontinued Products


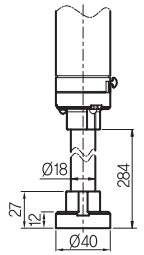
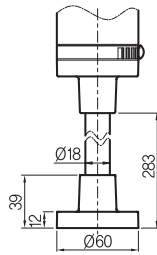
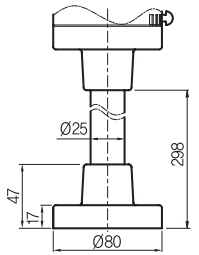
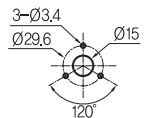
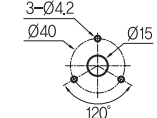
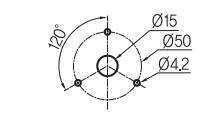

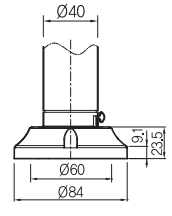
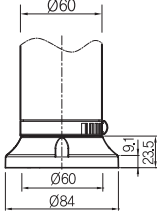
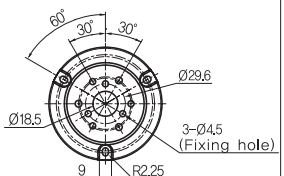
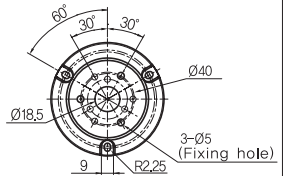

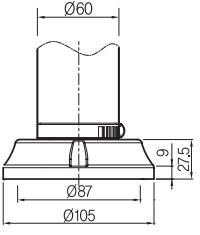
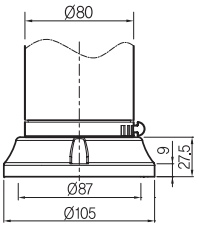
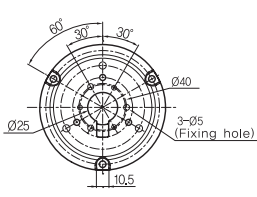
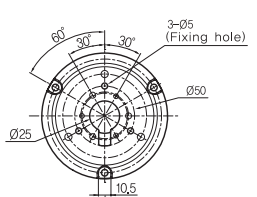
Dimension (unit : mm)

Model	STL040		STL060		STL080	
	STL040-□C51	STL040-□A11	STL060-□C51	STL060-□A11	STL080-□□	
Appearance						
Height(H) mm	1 stack	159	217	153	210	223
	2 stack	195	253	194	251	269
	3 stack	231	289	235	292	315
	4 stack	267	325	276	333	361
	5 stack	303	361	317	374	407

Dimension and panel cutout (unit : mm)

Appearance	STL040-□□□□	STL060-□□□□	STL080-□□□□
Direct installation			

STL series (Ø40, Ø60, Ø80)

Appearance	STL040-□□□□	STL060-□□□□	STL080-□□□□
 <p>Plastic round supporter</p>			
			
 <p>STM-84 Supporter (optional)</p>			Inapplicable
			Inapplicable
 <p>STM-105 Supporter (optional)</p>	Inapplicable		
	Inapplicable		

Control switch  
Combination display light

Power switch  
Main switch  
Cam switch

Limit switch  
Micro switch


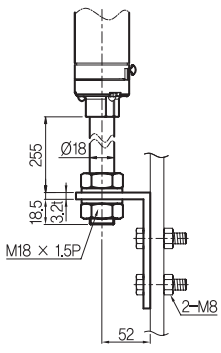
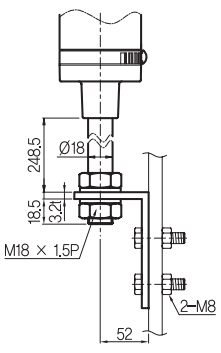
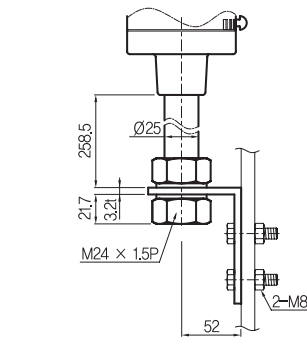
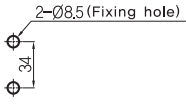
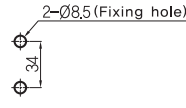

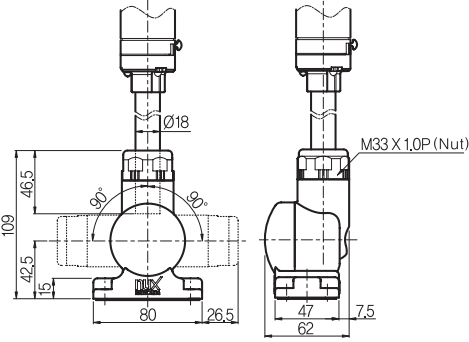
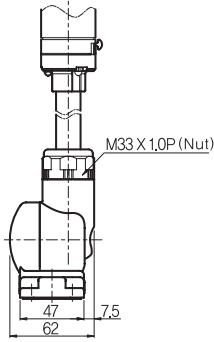
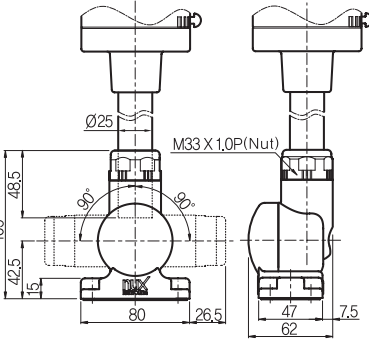
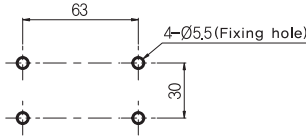
Hoist switch  
Foot switch  
Mono lever switch

Signal tower  
Signal light

Buzzer  
Terminal block  
Fuse holder

Control box  
Cable connector

Discontinued Products


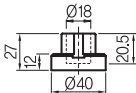
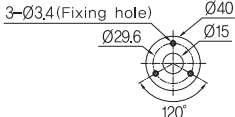

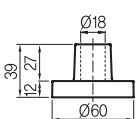
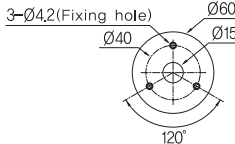

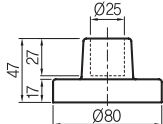
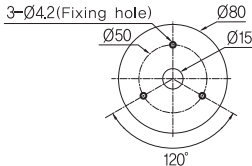

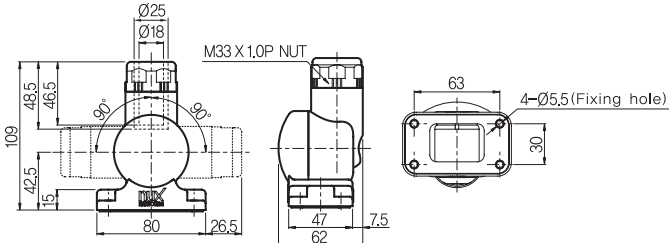

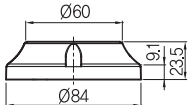
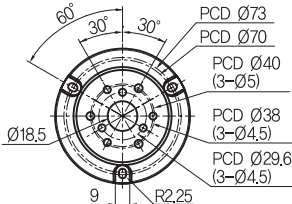

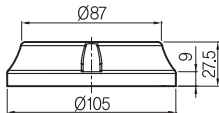
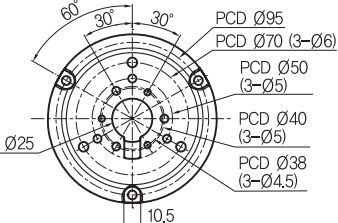
Appearance	STL040-□□□□	STL060-□□□□	STL080-□□□□
 <p>L type supporter</p>			
			
 <p>ETM Elbow supporter (optional)</p>			
			

※ Elbow type supporter : Applied to the Ø18, Ø25 pipe due to the plastic bushing



STL series (Ø40, Ø60, Ø80)

Supporter dimension (unit : mm)

Appearance	Dimension and panel cutout	
 <p>MP-40</p>		
 <p>MP-60</p>		
 <p>MP-80</p>		
 <p>ETM (optional)</p>		
 <p>STM-84 (optional)</p>		
 <p>STM-105 (optional)</p>		

Control switch  
Combination display light

Power switch  
Main switch  
Cam switch

Limit switch  
Micro switch

Hoist switch  
Foot switch  
Mono lever switch

Sign tower  
Signal light

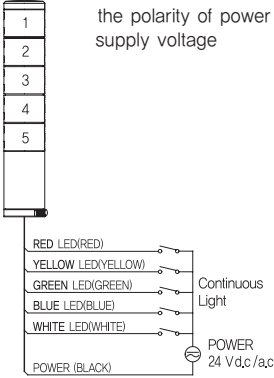
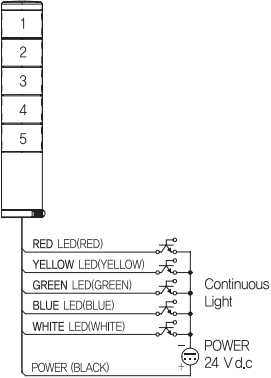
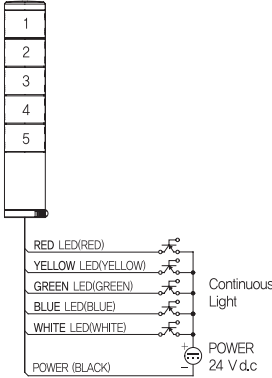
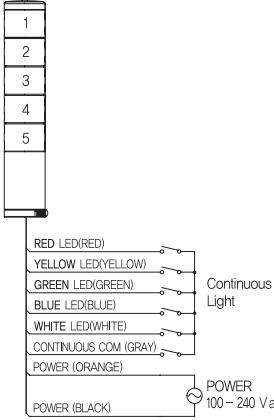
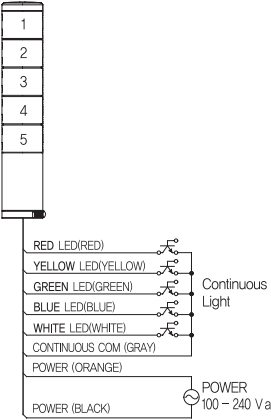
Buzzer  
Terminal block  
Fuse holder

Control box  
Cable connector

Discontinued Products

●● Connection diagram

■ Continuous light only (STL-040A, STL-060A, STL-080A)

Contact drive	NPN transistor drive	PNP transistor drive
<p>Power supply voltage 24 V d.c / a.c</p> <p>※ Not accordance with the polarity of power supply voltage</p> 	<p>Power supply voltage 24 V d.c</p> 	<p>Power supply voltage 24 V d.c</p> 
<p>Power supply voltage 100 – 240 V a.c</p> 	<p>Power supply voltage 100 – 240 V a.c</p> 	<p>Inapplicable</p>

STL series (Ø40, Ø60, Ø80)

■ Continuous light, flashing light, buzzer (STL-040F, STL-060F, STL-080F)

Contact drive	NPN transistor drive	PNP transistor drive
<p>Power supply voltage 24 V d.c/a.c</p> <p>※ Not accordance with the polarity of power supply voltage</p>	<p>Power supply voltage 24 V d.c</p>	<p>Power supply voltage 24 V d.c</p>
<p>Power supply voltage 100 - 240 V a.c</p>	<p>Power supply voltage 100 - 240 V a.c</p>	<p>Inapplicable</p>

Control switch  
Combination display light

Power switch  
Main switch  
Cam switch

Limit switch  
Micro switch

Hoist switch  
Foot switch  
Mono lever switch

Sign tower  
Signal light

Buzzer  
Terminal block  
Fuse holder

Control box  
Cable connector

Discontinued Products