



Series 4 Pilot Valves
for Integral Pilot (CA) Applications

Innovative Environmental Solutions

tyco / Flow Control / ***Environmental Systems***

RCA3DM Pilot Valve



Description

The RCA3DM is a pilot valve with an integral silencer and dust shroud which mounts directly (screw in) to the 4 series valve cover.

Construction

Encapsulation: PA-6

C-Frame: Mild steel zinc nickel plated

Bobbin: PA-6

IP Rating: IP64

Insulation class: B/130°C

Rating: Non-continuous use only

Clip: Mild steel (mechanically plated)

Operation

Recommended on time

range: 50-500ms

Recommended time between

pulses: 1 minute or greater

Certification and Conformities

- C-Tick
- EMC (89/336/CE)
- LV
- CSA

Spare Parts:

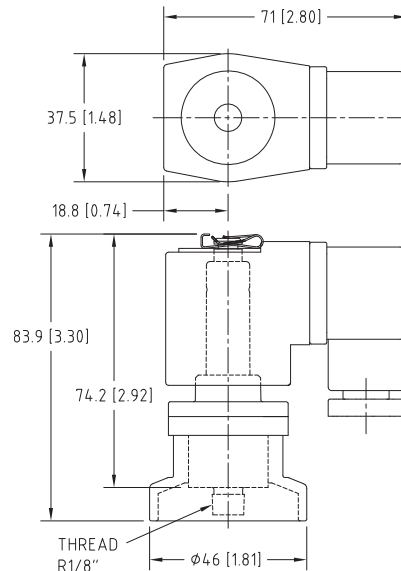
K0380 – Kit includes Nitrile replacement seal, armature, spring and ferrule.

K0384 – Kit includes Viton replacement seal, armature, spring and ferrule.

Please refer to page 3 of the Pilot Valves and Nema 4 Enclosures brochure for replacement coil options.

Dimensions

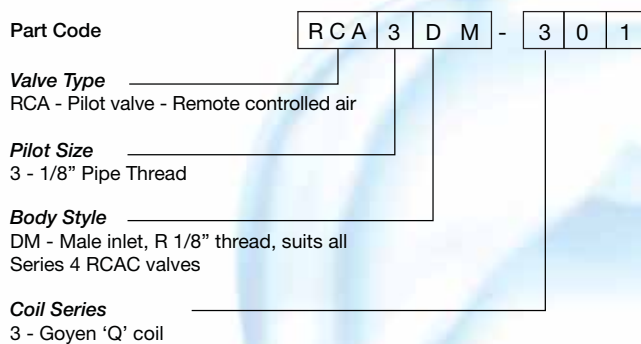
(Dimensions in mm and [inches])



Product Performance

Flow	Maximum Working Pressure	Minimum Working Pressure	Temperature Min	Temperature Max	Fluid Media
0.32 Cv	860 kPa	0 kPa	-40°C	82°C	Air or
0.27 Kv	125 psi	0 psi	-40°F	180°F	inert gas

How to Order



Order Code and Electrical Characteristics

Model	Connection Type	Protection Class	Voltage	Power
300	DIN 43650A	IP64	200/240V 50/60Hz	23.1 VA
301	DIN 43650A	IP64	100/120V 50/60Hz	19.8 VA
302	DIN 43650A	IP64	24V 50/60 Hz	23.1 VA
303	DIN 43650A	IP64	110VDC	24 W
304	DIN 43650A	IP64	48VDC	20 W
305	DIN 43650A	IP64	24VDC	20 W
306	DIN 43650A	IP64	12VDC	20 W
310	Conduit (M20x1.5)	IP31	200/240V 50/60Hz	23.1 VA
311	Conduit (M20x1.5)	IP31	100/120V 50/60Hz	19.8 VA
312	Conduit (M20x1.5)	IP31	24V 50/60 Hz	23.1 VA
313	Conduit (M20x1.5)	IP31	24VDC	20 W
314	Conduit (M20x1.5)	IP31	12VDC	20 W
320	Conduit (1/2" NPSC)	IP31	200/240V 50/60Hz	23.1 VA
321	Conduit (1/2" NPSC)	IP31	100/120V 50/60Hz	19.8 VA
322	Conduit (1/2" NPSC)	IP31	24V 50/60 Hz	23.1 VA
323	Conduit (1/2" NPSC)	IP31	24VDC	20 W
324	Conduit (1/2" NPSC)	IP31	12VDC	20 W

For Remote Pilot (RCA) Applications, Please refer to the Pilot Valves and Nema 4 Enclosures brochure.

RCA3PV Pilot Valve



Description

The RCA3PV pilot is another option for integral pilot (CA) applications. The RCA3PV pilot is a screw in pilot available in 1/8" (RCA3PV) and 1/4" (RCA3PV2) port sizing.

Construction

- Encapsulation:** PA-6
- C-Frame:** Mild steel zinc nickel plated
- Bobbin:** PA-6
- Insulation class:** F/155°C
- IP Rating:** IP65
- Rating:** Non-continuous use only
- Clip:** Mild steel (mechanically plated)

Operation

- Recommended on time range:** 50-500ms
- Recommended time between pulses:** 1 minute or greater

Certification and Conformities

- EMC (89/336/CE)
- LV

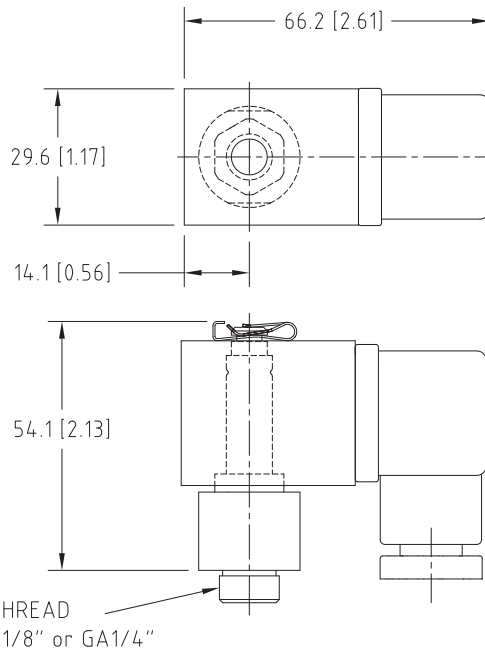
Spare Parts:

No pilot valve overhaul kits are available for the RCA3PV pilot. However, coil kits are available as listed below:

- K0203 - Dual rating: 110v DC 18W or 220/240v 50/60Hz. Kit includes coil, stabilus clip and washer.
- K0204 - Dual rating: 48VDC 18W or 115v 50/60Hz. Kit includes coil, stabilus clip and washer.
- K0205 - Dual rating: 24v DC 18W or 48v 50/60Hz. Kit includes coil, stabilus clip and washer.
- K0206 - Dual rating: 12v DC 18W or 24v 50/60Hz. Kit includes coil, stabilus clip and washer.

Dimensions

(Dimensions in mm and [inches])

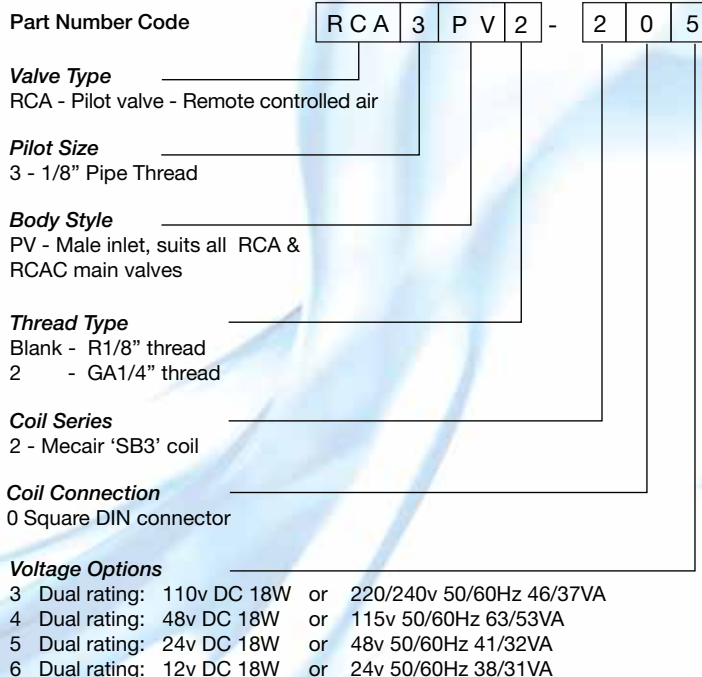


RCA3PV - 1/8", RCA3PV2 - 1/4"

Product Performance

Flow	Maximum Working Pressure	Minimum Working Pressure	Temperature Min	Temperature Max	Fluid Media
0.28 Cv	860 kPa	0 kPa	-40°C	82°C	Air or inert gas
0.24 Kv	125 psi	0 psi	-40°F	180°F	

How to Order



For Remote Pilot (RCA) Applications, Please refer to the Pilot Valves and Nema 4 Enclosures brochure.



Australia

Head Office
Goyen Controls Co Pty Ltd
268 Milperra Road
Milperra, NSW 2214

Telephone: 1800 805 372
Facsimile: 1300 658 799

Queensland
Telephone: 1800 805 372
Facsimile: 1300 658 799

Victoria
Telephone: 1800 805 372
Facsimile: 1300 658 799

South Australia
Telephone: 1800 805 372
Facsimile: 1300 658 799

Western Australia
Telephone: 1800 805 372
Facsimile: 1300 658 799

Asia

Goyen Controls Co Pty Ltd
Shanghai Representative Office
1209 Greenland Business Centre
1258 Yu Yuan Road
Shanghai PC200050
CHINA

Telephone: +86 21 5239 8810
Facsimile: +86 21 5239 8812

Goyen Controls Co Pty Ltd
73-M Jalan Mega Mendung
Kompleks Bandar OUG
58200 Kuala Lumpur MALAYSIA

Telephone: +60 37 987 6839
Facsimile: +60 37 987 7839

Office: Singapore
Tel/Facsimile: +65 6457 4549

USA

Goyen Valve Corporation
1195 Airport Road
Lakewood
New Jersey 08701
USA

Telephone: +1 732 364 7800
Facsimile: +1 732 364 1356

Europe

Goyen Controls Co UK Ltd
Unit 3B Beechwood
Chineham Business Park
Basingstoke, Hampshire, RG24 8WA
UNITED KINGDOM

Telephone: +44 1256 817 800
Facsimile: +44 1256 843 164

Tyco Umwelttechnik GmbH
Im Petersfeld 6
D-65624 Altendiez
GERMANY

Telephone: +49 6432 95299 0
Facsimile: +49 6432 95299 24

Mecair S.r.l.
Via per Cinisello 97
20054 Nova Milanese
Milano,
ITALY

Telephone: +39 0362 3751
Facsimile: +39 0362 367279