

DESCRIPTION

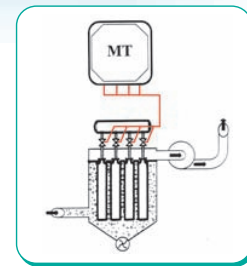
MT

The electronic microprocessor sequencer model “MT” uses advanced microprocessor technology, expressly designed to control the interval and pulse time of diaphragm valves, focusing on reverse pulse-jet systems with pneumatic cleaning procedures. All the technical characteristics satisfy the “CE” Directives which relate to the various protections relating to the terminal board, respecting the distances on the printed circuit boards, galvanic separation, etc. The product has therefore been tested by an authorised laboratory which have issued a certificate which authenticates and verifies that the Mecair product conforms with the following European Regulations: 89/336 EEC and 93/68 EEC.

The sequencer is available in the following versions:
Small enclosure: MT4 (4 outlets), MT8 (8 outlets) and MT12 (12 outlets);

Large enclosure: MT16 (16 outlets), MT20 (20 outlets), MT24 (24 outlets), MT28 (28 outlets) and MT32 (32 outlets).

The microprocessor sequencer contains a liquid crystal visual display which indicates the interval and pulse time, the number of cycles in the end cycle cleaning and the number of pauses between each end cycle cleaning. The unit automatically bypasses the loads not connected, allowing to command only the operative valves. There are two alarms: one for the short-circuit outlets, the other for microprocessor malfunction. The system can start up with a remote contact as well as by the switching off of the fan, to obtain the final cleaning cycle.

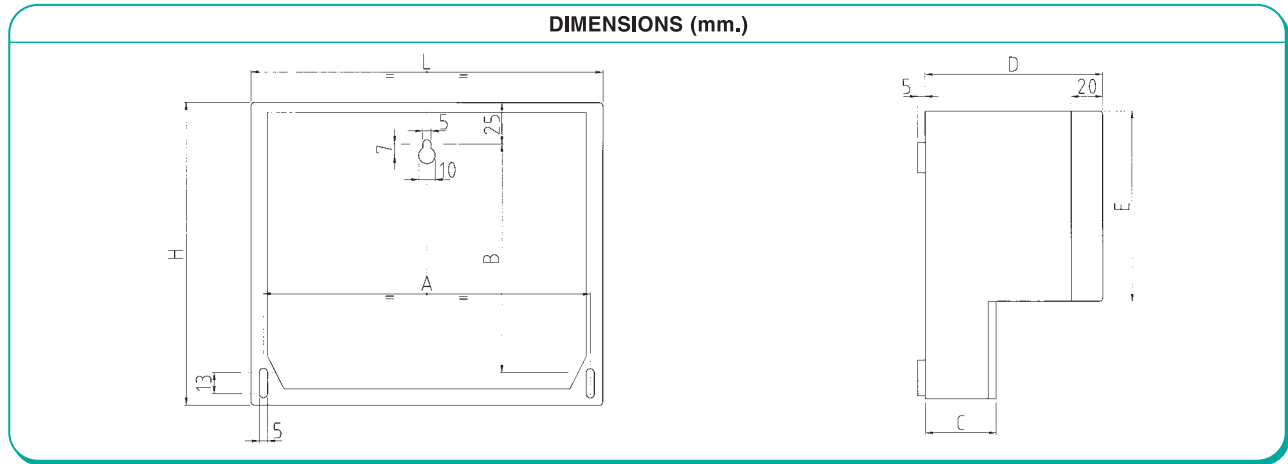


MAIN FEATURES

- Timed sequential control of the electric valves with zero-crossing to eliminate electrical interference.
- Predisposition for external automatic regulator of the differential pressure in the filter or contact from PLC (REMOTE command).
- Regulation of the pulse time and the pause time, with indication on the display.
- Short-circuit alarm and alarm for microprocessor malfunction.
- Easy selection of outlet voltage (AC/DC) and inlet voltage (AC).
- Setting number of end cycle cleaning. The final cleaning can start up with a remote contact as well as by switching off the fan.

DIMENSIONS

MT



Model	L	H	A	B	C	D	E
MT 4÷12	213	185	198	140	45	110	122
MT 16÷32	296	256	280	210	50	118	193
MT 36÷48	560	280	534	255	–	130	–

TECHNICAL CHARACTERISTICS

TECHNICAL CHARACTERISTICS	
Power supply	Standard: 115/230 V AC (±10%), 50/60 Hz Optional: 24/48 V AC (+5% - 0%), 50/60 Hz (2 ranges possible via the selection of plugs)
Outlet	* Standard: 24/115/230 V AC - 50/60 Hz (3 ranges available via selection of plugs) IN - OUT 24 V AC Optional: 48 V AC
Number of outlets	On request from 4 to 32 (the intermediate models are suitable in multiple of 4)
Maximum outlet power	Input power: max 2,5 VA Outlet power: max 25 VA - 20 Watt
Pulse time	0,01 ÷ 9,99 sec
Pause time	1 ÷ 999 sec.
Remote	Activated via external contact (normally open) free of power.
End cycle cleaning	Activated via contact (normally closed) of the remote control swich of the fan.
Alarm relay	Watch Dog (electronic surveillance of the microprocessor) and short-circuit outlet.
Connections	Push in plug - max section 2,5 mm ²
Grade of protection	IP65
Temperature	Storage: -20°C / +80°C Operating: -10°C / +50°C
Dimensions	MT 4-8-12 (small enclosure): 212x185x115 mm. MT 16-20-24-28-32 (large enclosure): 296x256x118 mm.
Weight	MT 12: approx 2Kg. MT 32: approx 2,7 Kg.