



# Solenoid valve 2/2 way N.C. Direct acting

21JL1R1V12  
÷  
21JL1R1V23

## PRESENTATION:

Direct acting S.V. for interception of fluids compatible with the construction materials.

Minimum operational pressure is not required.

The materials used and the tests carried out ensure maximum reliability and duration.

**USE:** Automation  
Heating

**PIPES:** G 1/8

**COIL:** 2,5W - Ø 10  
LBA 155°C (class F)  
5W - Ø 10  
LBA 155°C (class F)  
LBF - LBV 180°C (class H)

## MOULDING AND BOBBIN ARE MADE BY 100% VIRGIN MATERIAL.

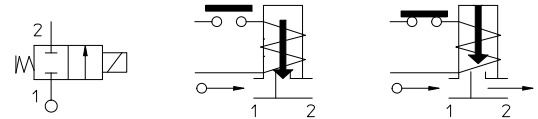
Max. allowable pressure (PS) 40 bar  
Ambient temperature:  
with coils class F - 10°C + 60°C  
with coils class H - 10°C + 80°C



Special item-not standard

Gaskets	Temperature		Medium
	- 10°C	+ 140°C	
V=FKM (fluoroelastomer)	- 10°C	+ 140°C	Mineral oils (2°E), gasoline gas oil, fuel oils (5°E)
B=NBR (nitrile rubber)	- 10°C	+ 90°C	Air, inert gas, water

For seals other than FKM replace the letter "V" with the ones corresponding to the other seals. E.I 21JL1R10**B**12.



Pipe ISO 228/1	Code	Max viscosity		Ø mm	Kv l/mn	Power (watt)	Pressure		
		cSt	°E				min bar	M.O.P.D.	
								AC bar	DC bar
G 1/8	21JL1R1V12	12	~ 2	1,2	1	2,5 5	0	20	3,5
								25	12
	21JL1R1V23	37	~ 5	2,3	2,3 5	6		-	
						18		8	

## Note

Available on request and with minimum quantities.

The "ODE" reserves the right to carry out technical and aesthetic modifications without prior notification.

### MATERIALS:

<b>Body</b>	Stainless steel AISI series 316
<b>Armature tube</b>	Stainless steel AISI series 300
<b>Fixed core</b>	Stainless steel AISI series 400
<b>Plunger</b>	Stainless steel AISI series 400
<b>Phase displacement ring</b>	Gold plated copper
<b>Spring</b>	Stainless steel AISI series 300
<b>Seal</b>	Standard: V=FKM On request: B=NBR
<b>Orifice</b>	Stainless steel AISI series 316

### On request:

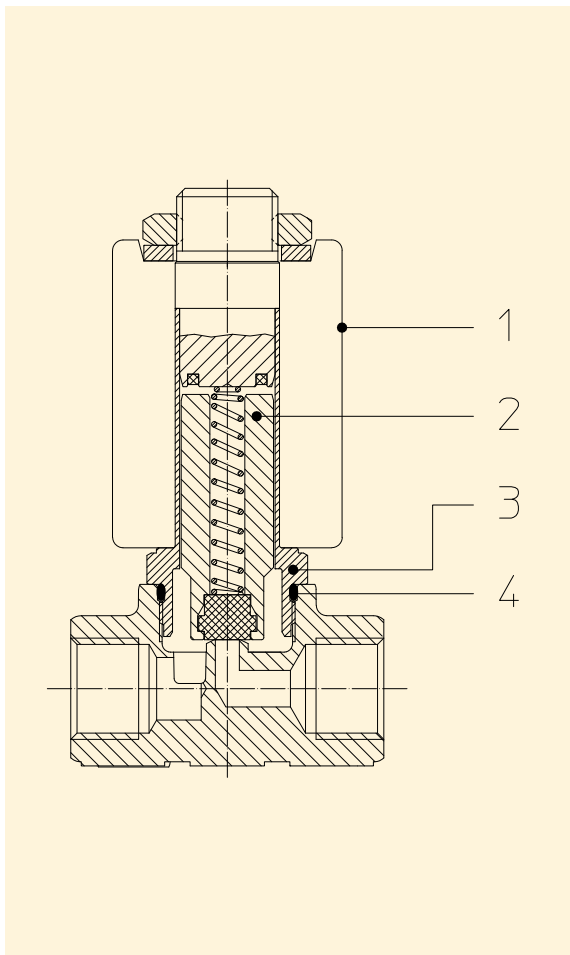
<b>Connector</b>	Pg 9 or Pg 11
<b>Connector conformity</b>	ISO 4400

### FEATURES:

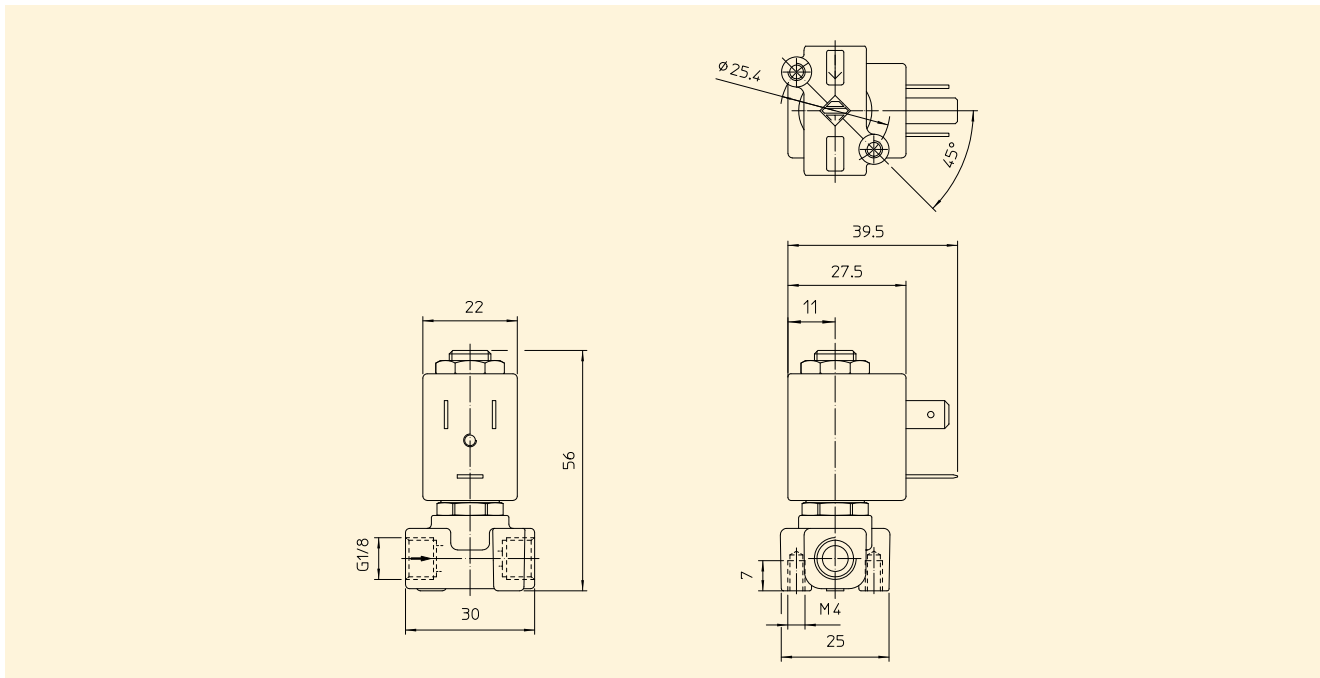
<b>Electrical conformity</b>	IEC 335
<b>Protection degree</b>	IP 65 EN 60529 (DIN 40050) with coil fitted by connector.

### SPARE PARTS:

- Coil:**  
See coils list
- Complete plunger:**  
Code R452428/V
- Complete armature tube:**  
Code R452426
- Gasket O-Ring:**  
Code R990597/V



### DIMENSIONS:



COIL TYPE	POWER ABSORPTION		
	W ≡	Hold VA ~	Inrush VA ~
L	2,5	5	7
	5	10	15